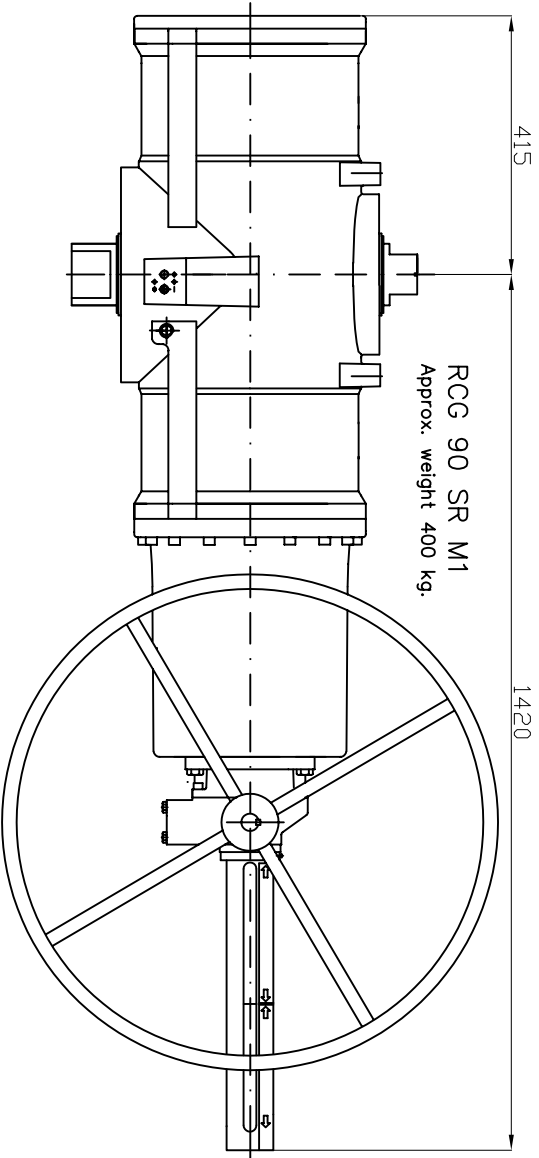


RCG 100 SR M1
Approx. weight 550 kg.



RCG 90 SR M1
Approx. weight 400 kg.

For all other dimensions see drawings 005244 (RCG 90) and 134913 (RCG 100)

Item ref	Quantity	Title/Name, designation, material, dimension etc				Comment	
Designed by	Drawn	Control	Weight (kg)	Replace	Replaced by	Date	Scale
A.N	A.B					05 06 14	---
RCG 90/100 SR M1		Smoothness where no spec. 3/2		Measures not tolerance spec		Art. no	

RCG 90/100 SR M1
Spring return actuators
with manual override



Draw. no. 111983 A
Sheet 1 (1)