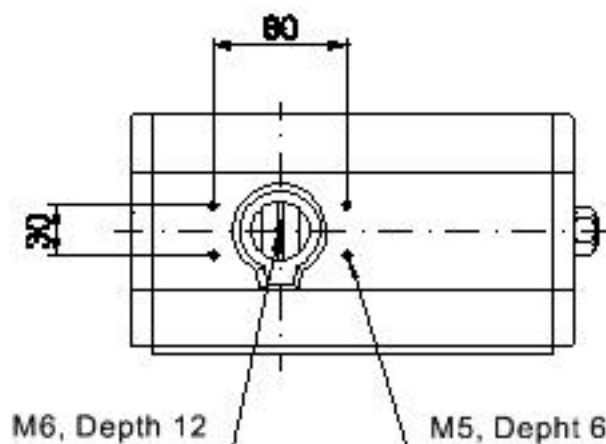
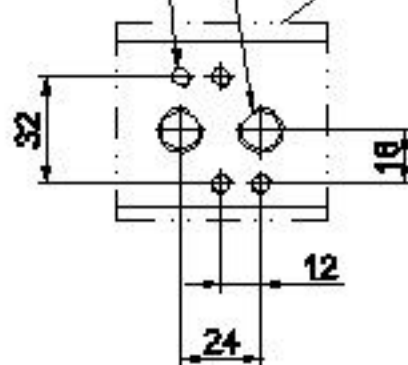


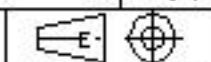
R1/4", Depth 12

M5, Depth 8



Item ref	Quantity	Title/Name, designation, material, dimension etc				Comment		
Designed by	Drawn	Control	Weight [kg]	Replace	Replaced by	Date	Scale	Art. no.
	CVI	A.N				010119	-	

ACTUATOR  
RC250-DA, F10/F12  
OUTLINE DRAWING



Smoothness where not spec. ✓

Measures not tolerance spec. -



Draw. no. RC250-DA ( Sheet