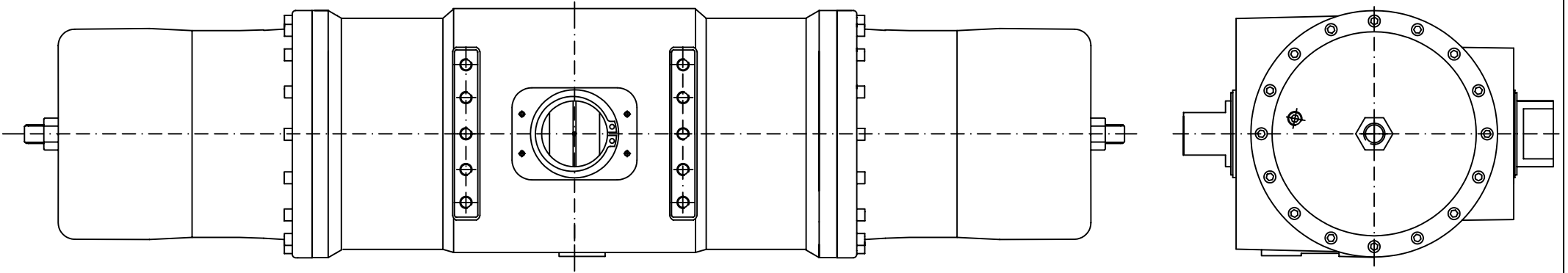
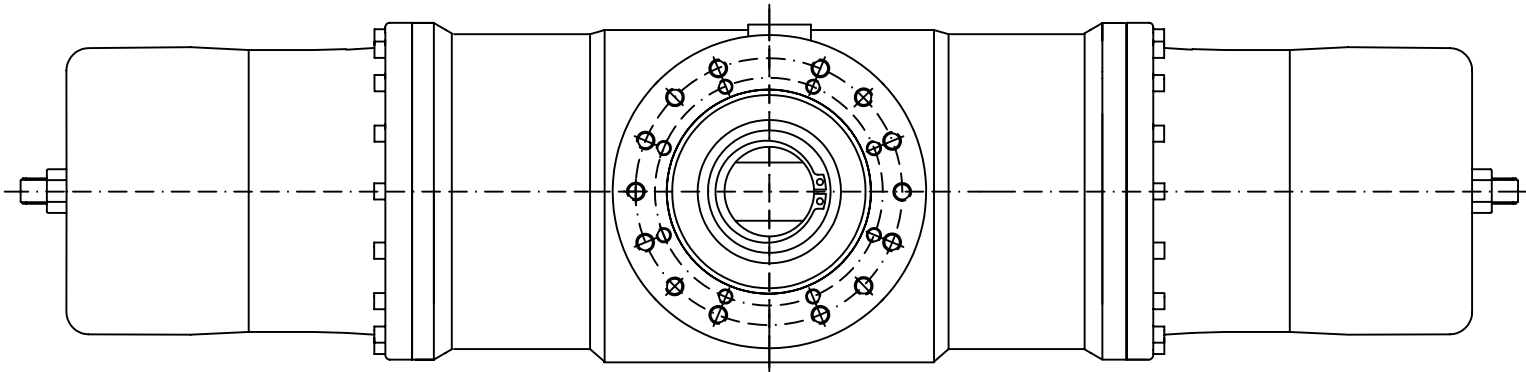


Top side




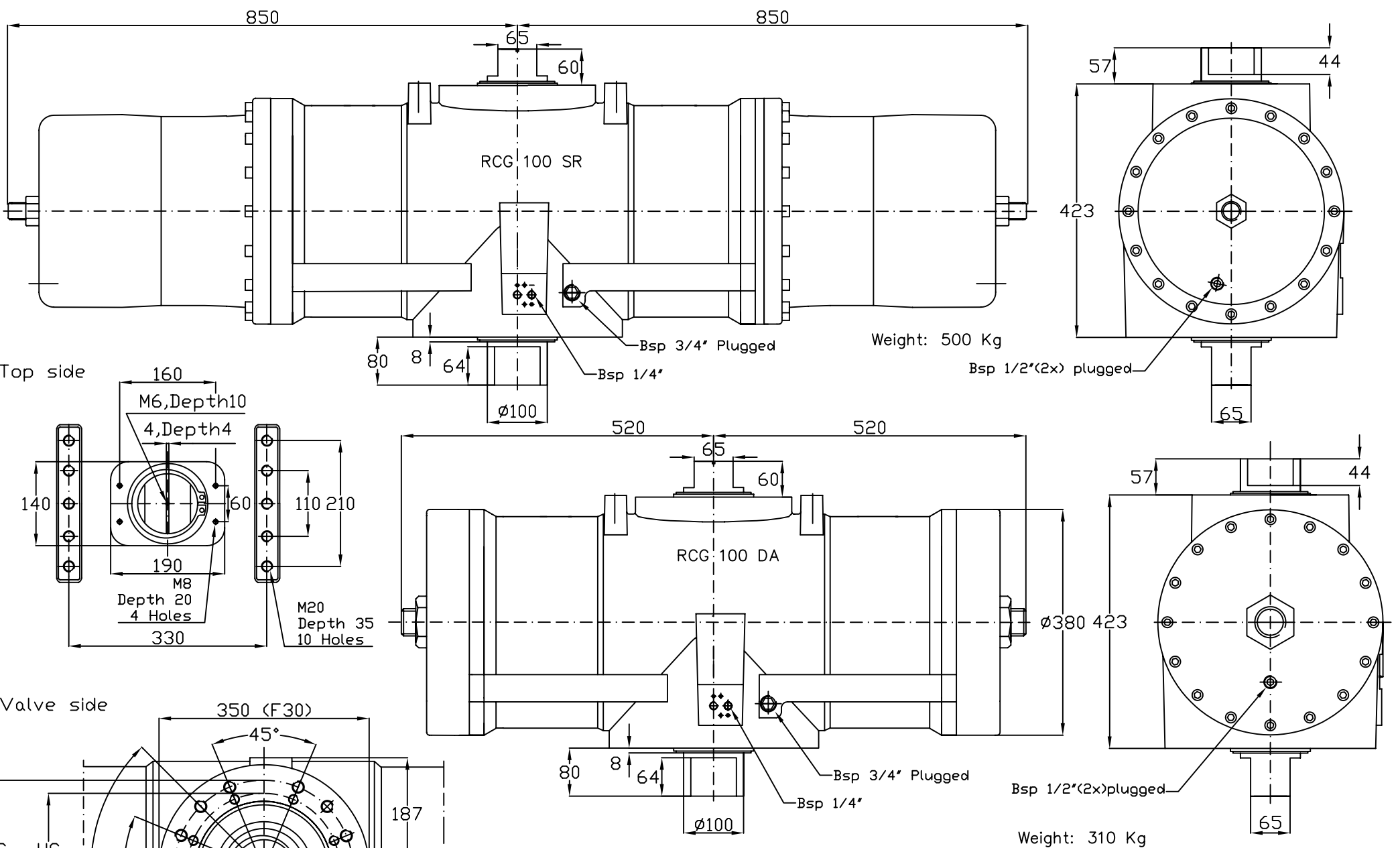
Valve side



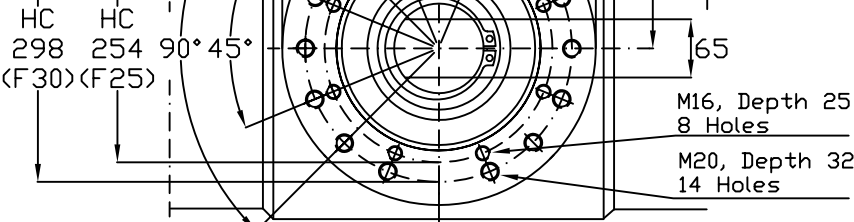
Sheet: 2(2)

Top side and valve side are the same of DA/SR,
Though the figure shows SR execution


Constr.	Drawn A.N	Contr. J.M	Date 05 01 05
 RCG 100 DA/SR Double acting and Spring return actuators Outline dimensions			Scale 1 : 6
			Drawing nr. 134913 A



Sheet: 1(2)



For all other specifications see leaflet 460

Constr.	Drawn A.N	Contr. J.M	Date 05 01 05
 RCG 100 DA/SR Double acting and Spring return actuators Outline dimensions			Scale 1 : 6
			Drawing nr. 134913 A