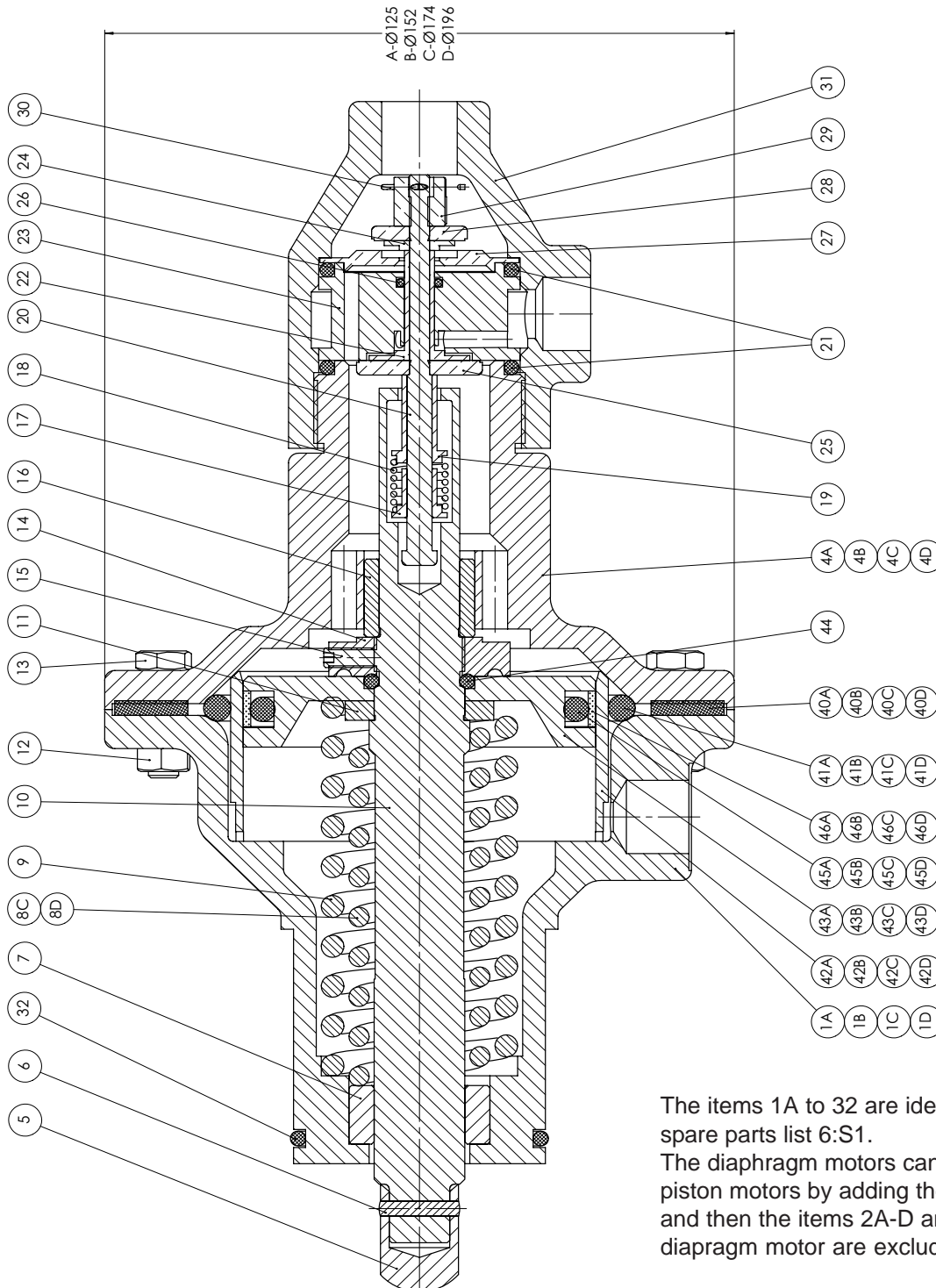


Twin Power®

Pneumatic multi-turn actuators for all types of valves

Spare part list 7:S - Piston Motor



The items 1A to 32 are identical with those of spare parts list 6:S1.
 The diaphragm motors can be changed to piston motors by adding the items 40A to 46D and then the items 2A-D and 3A-D of the diaphragm motor are excluded.

**KOLVMOTOR - PISTON MOTOR - KOLBENMOTOR - MOTEUR DE PISTON
TWIN POWER TYPE 114 & 214**

Det. No.	Art. No.	Quantity				Benämning	Denomination	Bezeichnung	Designation
		A	B	C	D				
1A	402113	1				Främre membranhus	Front diaphragm casing	Vorderes Membrangehäuse	Enveloppe antérieure de membrane
1B	402114	1				"	"	"	"
1C	402115			1		"	"	"	"
1D	402116				1	"	"	"	"
4A	402121	1				Bakre membranhus	Back diaphragm plate	Hinteres Membrangehäuse	Enveloppe postérieure de membrane
4B	402122	1				"	"	"	"
4C	402123			1		"	"	"	"
4D	402124				1	"	"	"	"
5	401400	1	1	1	1	Anslag Ø 12	Stop	Anschlag	Butée
6	401417	1	1	1	1	Räffelpinne	Grooved pin	Kerbstift	Clavette cannelée
7	401152	1	1	1	1	Lager	Bearing	Lager	Palier
8	401153			1	1	Returfjäder	Return spring	Rückzugfeder	Ressort de retour
9	401154	1	1	1	1	"	"	"	"
10	402630	1	1	1	1	Axel Ø 12	Shaft	Welle	Arbre
11	402128	1	1	1	1	Bricka	Washer	Unterlagscheibe	Rondelle
12	401158	8	8	8	8	Mutter	Screw nut	Mutter	Ecrou
13	503120	8	8	8	8	Skruv	Screw	Schraube	Vis
13	259311	8	8	8	8	Bricka	Washer	Unterlagscheibe	Rondelle
14	401161	1	1	1	1	Mutter	Screw nut	Mutter	Écrou
15	401162	1	1	1	1	Stoppskruv	Set screw	Hemmschraube	Vis d'arrêt
16	401163	1	1	1	1	Lager	Bearing	Lager	Palier
17	401115	1	1	1	1	Hylsa	Case	Hülse	Douille
18	401116	1	1	1	1	Snäppfjäder	Snap spring	Schnappfeder	Ressort d'arrêt
19	401117	1	1	1	1	Hylsa	Case	Hülse	Douille
20	401118	1	1	1	1	Axel	Axle	Welle	Arbre
21	401119	2	2	2	2	O-ring	O-ring	O-Ring	Joint torique
22	401121	1	1	1	1	Hylsa	Case	Hülse	Douille
23	401122	1	1	1	1	Ventilkropp	Valve box	Ventilkörper	Chapelle de soupape
24	401123	1	1	1	1	Bricka	Washer	Unterlagscheibe	Rondelle
25	401124	1	1	1	1	Ventiltallrik	Valve disc	Ventilteller	Corps de soupape
26	401126	1	1	1	1	O-ring	O-ring	O-Ring	Joint torique
27	401128	1	1	1	1	Säte	Seating	Sitz	Surface d'obturation
28	401129	1	1	1	1	Ventiltallrik	Valve disc	Ventilteller	Corps de soupape
29	401131	1	1	1	1	Mutter	Screw nut	Mutter	Ecrou
30	401132	1	1	1	1	Saxpinne	Split pin	Splint	Coupille fondue
31	402129	1	1	1	1	Ventilhus	Valve casing	Ventilgehäuse	Lanterne de soupape
32	401165	1	1	1	1	O-Ring	O-ring	O-Ring	Joint torique
*		1	1	1	1	Tätningssats std	Packing set standard	Dichtungssatz standard	Bagues de garniture standard
*		1	1	1	1	Tätningssats Viton	Packing set Viton	Dichtungsset Viton	Bagues de garniture Viton

*) Complete set of packings includes item No. 21, 25, 26, 28, 30, 32 and item No. 40 to 46.



Remote Control Sweden AB
P O Box 80, Kontrollvägen 15
SE-791 22 Falun
Sweden
Tel +46 (0)23-587 00
Fax +46 (0)23-587 45
www.remotecontrol.se
info@remotecontrol.se

Ref No. 7:S/Art No. 980643