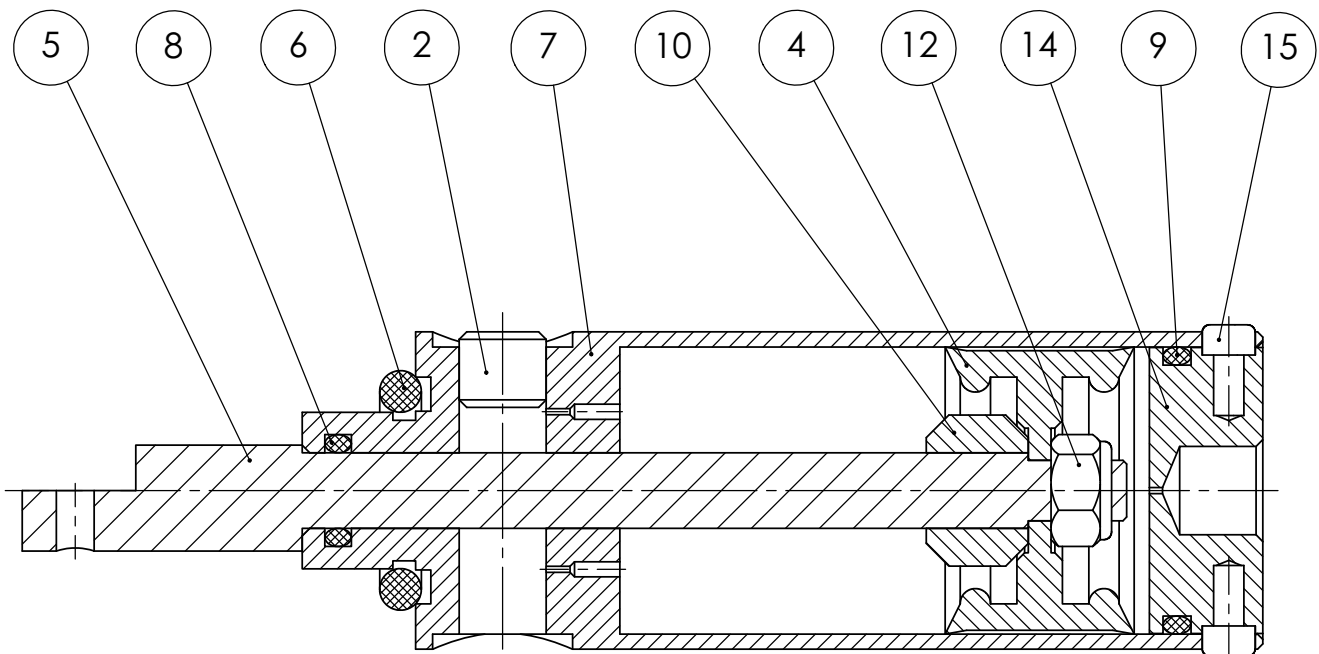


Twin Power[®]

Pneumatic multi-turn actuators for all types of valves

Spare part list **5:S1** - Operating Cylinder



**MANÖVERCYLINDER - OPERATING CYLINDER - BETÄTIGUNGSZYLINDER -
CYLINDRE DE CONTROLE
TWIN POWER TYPE 114 & 214**

Det. No.	Art. No.	Qty	Benämning	Denomination	Bezeichnung	Designation
2	401010	1	Plugg	Tube plug	Rohrverschluss	Tampon pour tube
4	401002	1	Kolv	Piston	Kolben	Piston
5	401011	1	Kolvstång	Piston rod	Kolbenstange	Tige de piston
6	401007	1	O-ring	O-ring	O-ring	Joint torique
7	402002	1	Cylinder	Cylinder	Zylinder	Cylindre
8	401004	1	O-ring	O-ring	O-ring	Joint torique
9	161076	1	O-ring	O-ring	O-ring	Joint torique
10	402000	1	Anslag	Stop shoulder	Anschlag	Butée
12	401006	1	Mutter	Screw nut	Mutter	Ecrou
14	402003	1	Bakgavel	Back end	Hintere Stirnwand	Arrière
15	121167	2	Skruv	Screw	Schraube	Vis



Remote Control Sweden AB
P O Box 80, Kontrollvägen 15
SE-791 22 Falun
Sweden
Tel +46 (0)23-587 00
Fax +46 (0)23-587 45
www.remotecontrol.se
info@remotecontrol.se

Ref No. 5:S1/Art No. 980641